

LTBRA

Equator

# PCE Group Europe <sup>®</sup>

[www.pce-group-europe.com](http://www.pce-group-europe.com)

DIN EN ISO 9001

## Incredible scales

- Weighing ranges: 3,000 kg / 5,000 kg / 10,000 kg
- Resolutions: 1 kg / 2 kg / 5 kg
- Heavy duty design
- 400 % overload protection
- Hook with safety catch
- Wireless remote control
- 30 mm LED Display
- Tare- / Data-hold-function
- Internal rechargeable battery pack (80 h)
- Calibration certificate available (Option)



**PCE-CS-HD  
Series**

**Crane Scales**

# Crane Scale PCE-CS-HD Series

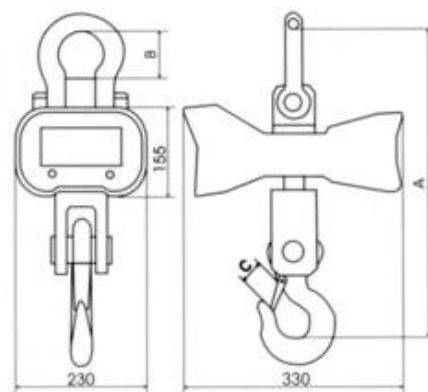
The PCE hook type is an advanced wireless crane scale. The crane scale combines the safety and comfort of having a remote, wireless control with the ease of use that a hook allows. The PCE crane scale is especially suitable for rough use in different industries, as well as for a wide variety of other applications. The crane scale has an internal mechanism to ensure that the received and indicated value is identical to the transmitted value.

Under no circumstances will it indicate a different value than the transmitted one. This is an important safety feature. The small size of the wireless crane scale ensures low headroom loss for any application. The crane scale is powered by internal rechargeable long life battery, what ensures a continuous work period of 80 h before it has to be recharged again. A maximum overload of 400 % protects the load cell. The 30 mm LED Display shows the weighing data on distances up to 10 m very bright and clear.

Crane scale model	PCE-CS 3000HD	PCE-CS 5000HD	PCE-CS 10000HD
Readability	1 kg	2 kg	5 kg
Minimum Load	20 kg	40 kg	100 kg
Units to weigh	kg / lb		
Maximal Overload	400 %		
Tare	Full range		
Stabilisation time	< 10 s		
Remote control	Usable for all functions (infrared / visible up to a distance of 10 m)		
Display	30 mm backlit LED		
Housing	Metal case		
Dimensions	See table above		
Net weight	18.0 kg	24.0 kg	44.0 kg
A [mm]	600	730	850
B [mm]	80	100	120
C [mm]	45	55	70

## Delivery includes

- 1 x Crane scale PCE-CS HD-Series  
(Model PCE-CS 3000HD or PCE-CS 5000HD  
or PCE-CS 10000HD),
- 1 x Internal battery (rechargeable),
- 1 x Charger,
- 1 x Remote control (incl. battery),
- 1 x Stainl. steel hook,
- 1 x Shackle and
- 1 x Manual



## Optional

- ISO calibration certificate



PCE Group oHG  
Im Langel 4  
D-59872 Meschede  
Germany  
Fon: (49) 0 29 03 976 99-0  
Fax: (49) 0 29 03 976 99-29  
info@pce-group-europe.com  
www.pce-group-europe.com